

**PRODUCT DETAILS**

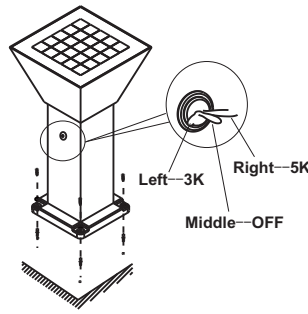
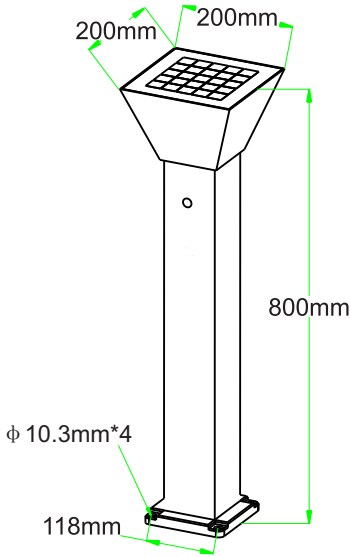


**Key Features**

- 5W Solar LED Bollard light
- No AC power cables, no electrical charges
- 3K or 5K colour changeable
- Aluminium body
- Polycrystalline Solar panel
- Lithium battery
- Build-in dusk to dawn sensor

**PACKING DETAILS:**

Product: **PLS-B-5W-3K/5K-800**  
 Net Weight: 2.50 kg  
 Outer ctn size: 860\*430\*430mm  
 Q'ty per ctn: 4 pc  
 G.W per ctn: 11.60 kg



**PLS-B-5W-3K/5K-800**

Unit: MM

MODEL NUMBER	Wattage	Materials	LED CHIPS	LED Q'ty (pcs)	LUMENS	CCT	Solar Panel	Battery	Charging Time	Discharging Time	CRI	DIMMABLE	Warranty
PLS-B-5W-3K/5K-800	5W	Aluminium+ABS	SMD2835	30	450-500lm	3K/5K	5.0V 5W	500mAh	6-8 Hours	10-12 Hours	> 80	No	3 years

**PRODUCT DETAILS**



**Key Features**

- 5W RGB Solar LED Bollard light
- No AC power cables, no electrical charges
- Polycrystalline Solar panel
- Lithium battery
- Build-in dusk to dawn sensor
- 3K to 5K and RGB colour changeable, dim down/dim up by remote controller.
- Remote control distance can be up to 25 metres.

**PACKING DETAILS:**

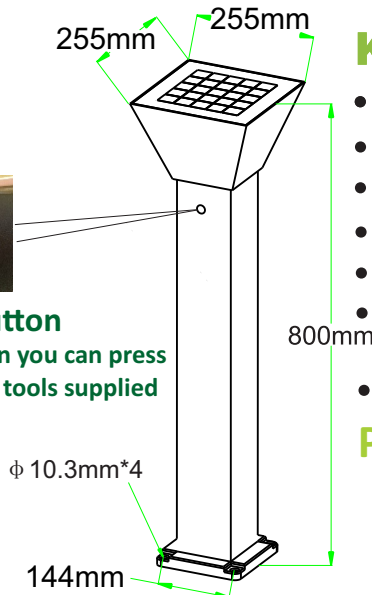
Product: **PLS-B-5W-RGB-800**  
 Net Weight: 4.00 kgs  
 Outer ctn size: 295\*295\*850mm  
 Q'ty per ctn: 1 pc  
 G.W per ctn: 5.10 kgs



**PLS-B-RC**



**ON/OFF button**  
 Remove the cap, then you can press ON/OFF button with tools supplied



**PLS-B-5W-RGB-800**

Unit: MM

MODEL NUMBER	Wattage	Materials	LED CHIPS	LUMENS	CCT	Solar Panel	Battery	Charging Time	Discharging Time	CRI	Warranty
PLS-B-5W-RGB-800	5W	Aluminium+PC	SMD+RGB	400lm+N/A	3K,4K,5K+RGB	5V 9.1W	3.2V 12AH	6-8 Hours	10-12 Hours	> 80	3 years
PLS-B-RC	Remote controller for PLS-B-5W-RGB-800										

**One remote controller must be purchased together with the lights, otherwise the lights can't be controlled.**



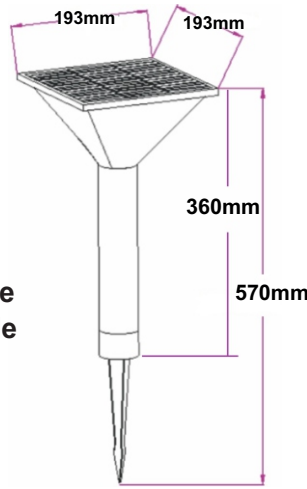
## LED SOLAR BOLLARD LIGHT RANGE

### PRODUCT DETAILS



3K 4K 5K colour temperature changeable through the button inside

**PLS-B-7W**



### Key Features

- 7W Solar LED Bollard light
- No AC power cables, no electrical charges
- Polycrystalline Solar panel
- Lithium battery
- Build-in dusk to dawn sensor

### PACKING DETAILS:

Product: **PLS-B-7W**

Net Weight: 1.60 kg

Outer ctn size: 535\*415\*420mm

Q'ty per ctn: 8 pc

G.W per ctn: 16.00 kg

MODEL NUMBER	Wattage	Materials	LED CHIPS	LED Q'ty (pcs)	LUMENS	CCT	Solar Panel	Battery	Charging Time	Discharging Time	CRI	DIMMABLE	Warranty
PLS-B-7W	7W	Aluminium+PC	SMD3030	20	700lm	3K 4K 5K	5V 5W	3.7V 4.4AH	6-8 Hours	10-12 Hours	> 80	No	2 years