



INSTRUCTION MANUAL

MT952

CONTACT & NON-CONTACT TACHOMETER



1. Warnings

To avoid injuries to animal or human eyes, do not point the laser beam in eyes or look directly into beam. If the instrument is not to be used for any extended period remove the battery.

NOTE:

- If the battery current is weak, you will view the "BAT" on the LCD when you press "MEM" button to measure.
- Be careful not to allow any liquids or moisture to get inside the tachometer.

2. Features

- Provides fast and accurate contact and non-contact RPM and surface speed measurements of rotating objects
- Measurement type
 - Rotation Speed (RPM)
 - Total revolutions (REV)
 - Frequency (HZ)
 - Surface Speed (M/M, I/M, F/M, Y/M)
 - Length (M, In, FT, Yd)
- Wide measure range and high resolution
- High visible digital LCD and Backlight display
- 40 reading memories
 - 10 selectable MAX measurements
 - 10 selectable MIN measurements
 - 10 selectable AVG measurements
 - 10 selectable DATA measurements
- Laser sighting

3. Specifications

Display	5 digits LCD display
Accuracy	$\pm(0.05\% + 1 \text{ digits})$
Contact Test range	2 to 20,000RPM
Non-Contact Test range	2 to 99,999RPM
Tot test range	1 to 99,999
Resolution	0.1 RPM (2 to 9999.9 RPM) 1 RPM (over 10000 RPM)
Sampling time	0.5 seconds (over 120 RPM)
Detecting distance	50mm to 500mm
Time base	Quartz crystal
Power consumption	Approx. 45mA
Battery	9V
Operation temp	0°C to 50°C (32°C to 122°C)

4. Operation

Open the battery compartment cover and install a 9V Battery.

Non-Contact

Stick the self-adhesive reflective tape on the object whose rotational speed is to be measured. The reflective tape should be stuck as close to the outer edge of the object to be measured as possible.

Contact

Attach the contact adapter to the tachometer. Select the adapter included and slides it onto the shaft of the contact adapter. Align the adapter with the alignment pin on the shaft of the contact adapter.

- Press the **MEAS** button. Point the laser spot at the object or bring the contact probe to the object. Then read the measurement on the LCD display.

5. Function Description

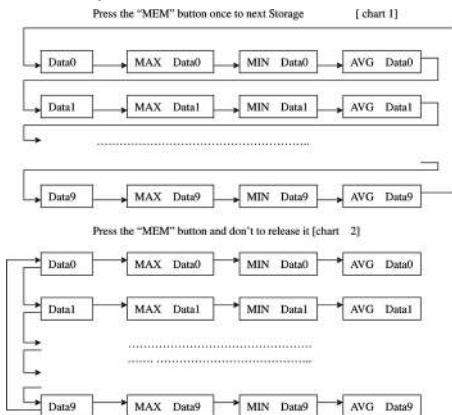
In scan mode, the current measurement is displayed on the main display. The main display will hold the last values until the meter automatically turns off.

Data Storage

Press the **MEAS** button until the reading displays on the LCD display. Observe the reading and press the "MEM" Button to record. The maximum, minimum, average and data during one shot measurement will be stored into a memory set. Then the Data number will increase by one.

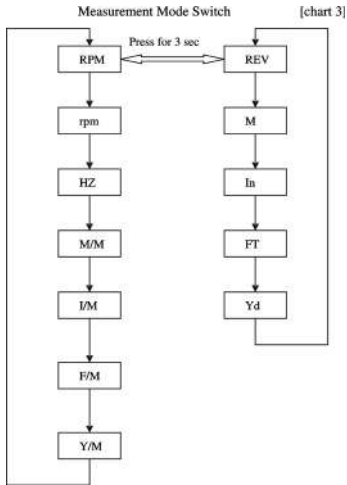
Recall Data

Use the **MEM** button to scroll and view the stored data. Press the "MEM" button once to scroll between the saved MAX, MIN, AVG and DATA measurements. Hold down the "MEM" button to leap to next Data Set. On the display it will read Data0 to Data9 (10 selectable Data measurements).



Measurement Mode Switch:

Release the **MEAS** button and press the **MODE** button. There are two group of measurement options. Press the **MODE** button to change from **RPM** to **RPM** to **HZ**. Press the **MODE** button and hold for approx.3 sec to leap to the next group. Then, press the **MODE** button once to change from **REV** to **M** to **In**. Select the mode by holding down the **MEAS** button and start measuring.



- RPM: Non-Contact revolutions per minute measurements.
- RPM: Contact revolutions per minute measurements.
- Non-Contact /Contact frequency measurements.
- M/M: Contact Meter per minute measurements.
- I/M: Contact Inch per minute measurements.
- F/M: Contact Feet per minute measurements.

- Y/M: Contact Yard per minute measurements.
- REV: Revolution measurements.
- M: Length measurements in the unit of meter. (Using the master 10cm circumference wheel.)
- In: Length measurements in the unit of inch. (Using the master 10cm circumference wheel.)
- FT: Length measurements in the unit of feet. (Using the master 10cm circumference wheel.)
- Yd: Length measurements in the unit of yard. (Using the master 10cm circumference wheel.)

6. Measuring Consideration

1. Reflective mark

- Cut the adhesive tape provide into approx 12mm (0.5") squares and apply one square to each rotation shaft.
- The non-reflective area must always be greater than the reflective area.
- If the shaft is normally reflective, it must be covered with black tape or black paint before attaching reflective tape
- Shaft surface must be clean and smooth before applying reflective tape.

2. Very Low Rpm Measurement

- As it is easy to get high resolution and fast sampling time. If measuring the very low RPM values, suggest user to attach more "REFLECTIVE MARKS" averagely. Then divide the reading shown by the number of "REFLECTIVE MARKS" averagely. Then divide the reading shown by the number of "REFLECTIVE MARKS" to get the real RPM



MAJOR TECH (PTY) LTD

South Africa

 www.major-tech.com

 sales@major-tech.com

Australia

 www.majortech.com.au

 info@majortech.com.au

